

VG-X-SLIM-LINE



✓ EFFIZIENZ +

HEITEC
HEISSKANALTECHNIK

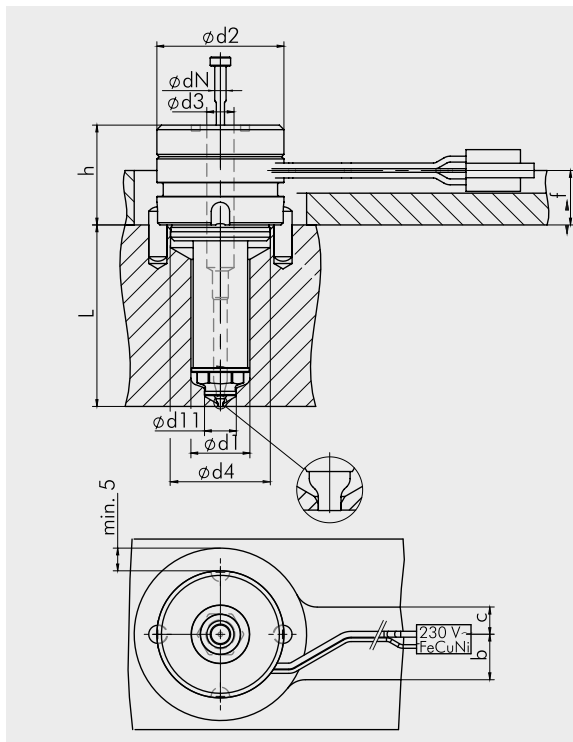
VG-X-SLIM-LINE

Type 61.059.



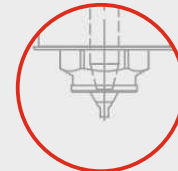
PRODUCT FEATURES

- Installation diameter: 17- 42mm
- Nozzle lengths: 100 - 350mm
- Melt channel diameter: 4,5 / 6 / 8mm
- Available gate types: Type 61
- Replacement of tips, heaters and temperature sensors can be performed by customer
- 230V external heating
- Gate valve nozzle with large melt channel and at the same time small outer dimensions
- Efficient use of energy and resources
- Quick colour changes thanks to smaller gate well area
- Can be integrated into HOT HALVES and FLEX-IN systems
- Suitable for polyolefins and polystyrenes



Gate type:

Type 61



Pin seat
directly in
mould insert

Type	d2	d1	d3	d4	d11	L	h	f	b	c	dN	tip
61.059.11	28	11	4,5	22	6	80-350	22	12	10	6	2,5	61
61.059.13	32	13	6	22	7	80-350	22	12	10	6	2,5	61
61.059.20	32	20	8	26	12	80-350	22	12	20	6	4	61

