

STAR-LINE CROWN-LINEAR



✓ EFFIZIENZ +

HEITEC
HEISSKANALTECHNIK

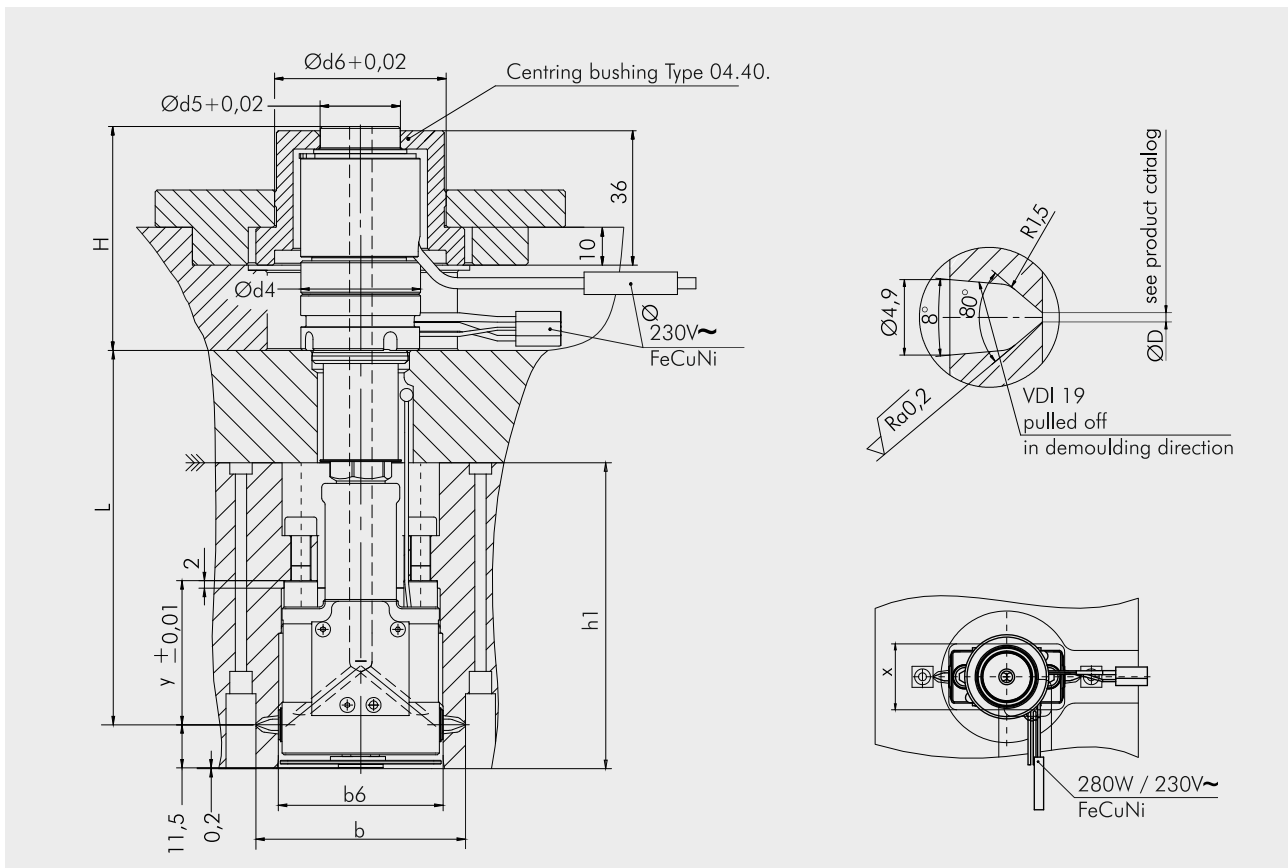
STAR-LINE

Type 01.276.



PRODUCT FEATURES

- Nozzle for radial arrangement of parts
- Installation width of nozzle: 44 - 64 mm
- Melt channel diameter: 6/ 9mm
- Nozzle lengths: starting at 100 mm
- Arrangement of parts: 56 mm
- Part weight/tip: 0.05 - 20g
- Number of tips/nozzle: 1 - 2
- Heating with metallic connection
- 230V, external heating
- No separation of mould inserts required
- Tip exchange and gate well area cleaning on the machine only take a few minutes
- Optimal gate quality: Nozzle expansion is compensated within the nozzle. This ensures the centring of the nozzle tip in the gate
- Excellent temperature profile, making it equally suitable for engineering resins such as PA, PBT and PEEK
- Efficient use of energy and resources
- Great design freedom thanks to the slim nozzle design



Type	b	n	L	b6	h1	d2	d3	d4	d5	d6	y	H	x
01.276.44.	28 / 56	1-2	100-200	44	81,7	32	6	26	21,5	46	38,5	60	25
01.276.64.	43 / 86	1-2	100-200	64	92,5	46	9	38	24,5	49	50	66	29

