

# STAR-LINE CROWN-LINEAR

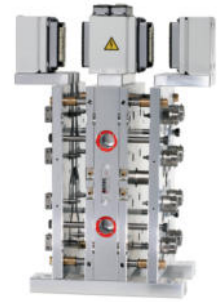


✓ EFFIZIENZ +

**HEITEC**  
HEISSKANALTECHNIK

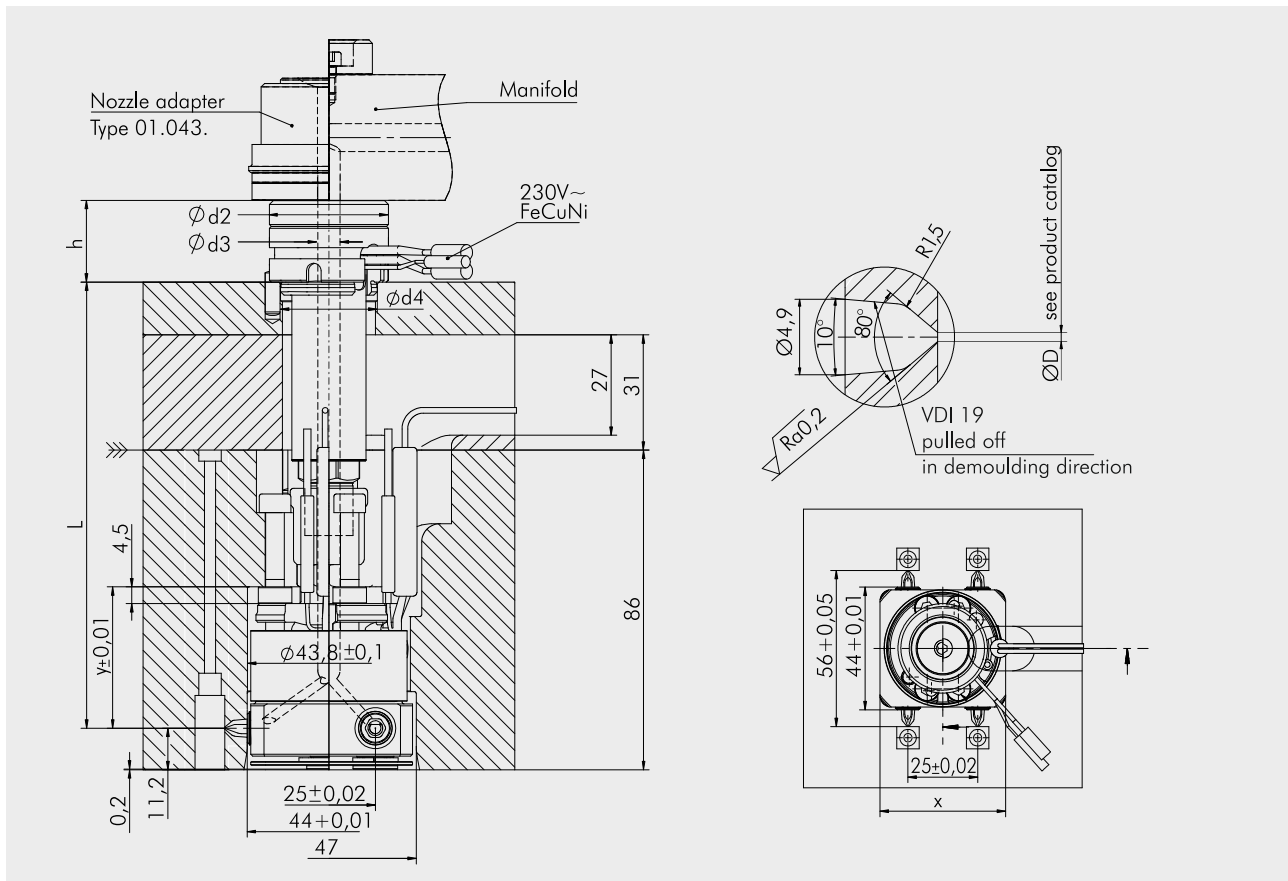
# STAR-LINE

## Type 01.078.



### PRODUCT FEATURES

- Nozzle for radial arrangement of parts
- Installation width of nozzle: 44 mm
- Melt channel diameter: 6 mm
- Nozzle lengths: starting at 100 mm
- Arrangement of parts: 56 x 25 mm
- Part weight/tip: 0.05 - 10g
- Number of tips/nozzle: 4
- Heating with metallic connection
- 230V, external heating
- Model with 8 tips see: Type 01.079.
- No separation of mould inserts required
- Tip exchange and gate well area cleaning on the machine only take a few minutes
- Optimal gate quality: Nozzle expansion is compensated within the nozzle. This ensures the centring of the nozzle tip in the gate
- Excellent temperature profile, making it equally suitable for engineering resins such as PA, PBT and PEEK
- Efficient use of energy and resources
- Great design freedom thanks to the slim nozzle design



Type	b	n	L	b6	d2	d3	d4	y	h	x
01.078.44.	56	2	100-200	44	32	6	26	38	22	45

