

# SLIM-LINE



✓ EFFIZIENZ +

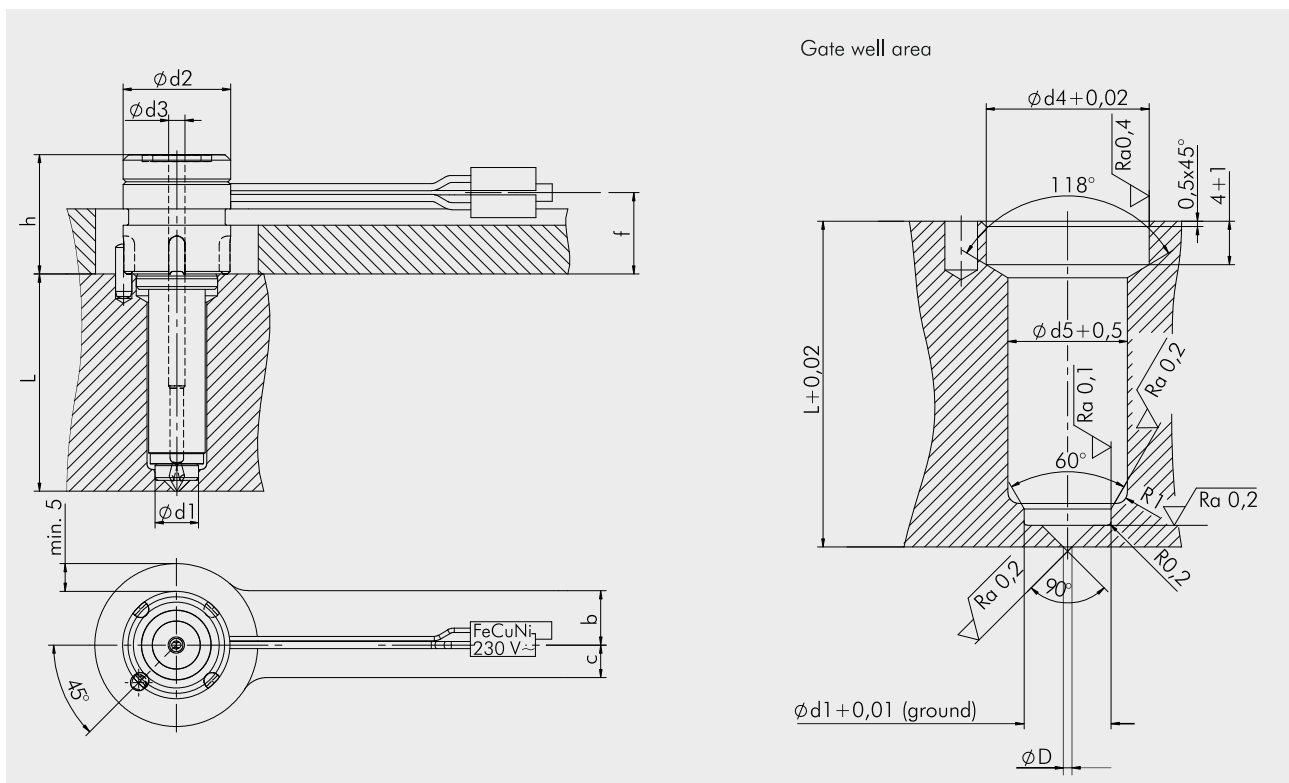
**HEITEC**  
HEISSKANALTECHNIK

# SLIM-LINE

## Type 01.030.

### PRODUCT FEATURES

- Installation diameter: 11 / 15mm
- Nozzle lengths: 40 - 140mm
- Melt channel diameter: 3 / 4mm
- Shot weight/nozzle: 0,1- 20g
- Up to 2.5mm tip extension possible
- Heat-conductive tips with metallic or screw-type connections
- Heating with metallic connection
- 230V external heating
- Requires little space
- In combination with Heitec cooling cores, support for internal gating for internal article contours starting at 16mm
- Quick colour changes thanks to smaller gate well area
- Shorter cycle times thanks to low heat input into the mould
- Suitable for all types of plastic with up to 30% filler content
- Efficient use of energy and resources
- Can be integrated into HOT HALVES and FLEX-IN systems



| Type       | d2 | d1 | d3 | d4 | d5 | h  | f  | L        | c | b  | D       |
|------------|----|----|----|----|----|----|----|----------|---|----|---------|
| 01.030.08. | 20 | 8  | 3  | 15 | 11 | 22 | 14 | 40-160   | 6 | 10 | 0,4-1,2 |
| 01.030.10. | 30 | 10 | 4  | 20 | 15 | 22 | 14 | 18,5-140 | 6 | 10 | 0,6-1,5 |

